

Please note that the data given here has been taken from the online catalog. For comprehensive information and data, please refer to the user documentation at <http://www.download.phoenixcontact.com>. The General Terms and Conditions of Use apply to Internet downloads.

► Extract from the online catalog



Sensor/actuator box, with LED, with spring-cage terminal blocks and single-occupied slots

Order No.	1671247
Ord designation	SACB-8/ 8-L-SC
EAN	4017918135096
Pack	1 Pcs.
Customs tariff	85366990
Weight/Piece	0.1395 KG
Catalog page information	Page 110 (PC-2007)

► Product notes

WEEE/RoHS-compliant since: 06/18/2007



IMPORTANT : This date is valid for Customers in Germany only. Date Format is MM/DD/YYYY. Please contact your local in-country Phoenix Contact location or designated business partner for a Logistics Compliant date in your area. In order to guarantee delivery of RoHS-Compliant product, please purchase Phoenix Contact parts from authorized Phoenix Contact representatives and distributors.

► Technical data

General data

Nominal voltage U_N	24 V DC
Max. operating voltage U_{max}	30 V DC
Ambient temperature (operation)	-25 °C ... 75 °C
Degree of protection	IP65/IP67
Number of positions	4
Max. current carrying capacity per path	2 A
SACB total current	12 A
Operating current of the indicator elements	≤ 5 mA
Number of slots	8
Sensor/actuator connection system	M 12 female connector

Local diagnostics function

Local diagnostics	Supply voltage per module LED green
Local diagnostics	Status display I/O Yellow LED

Master cable data

Type of connection	Spring-cage conn.
Stripping length	10 mm
Conductor cross section AWG/kcmil min.	26
Conductor cross section AWG/kcmil max	18
Conductor cross section stranded min.	0.14 mm ²
Conductor cross section stranded max.	1 mm ²
Conductor cross section AWG/kcmil min.	24
Conductor cross section AWG/kcmil max	16
Conductor cross section stranded min.	0.2 mm ²
Conductor cross section stranded max.	1.5 mm ²
Max. cable diameter	9.5 mm

Insulation material

Inflammability class acc. to UL 94	V0
------------------------------------	----

► Certificates / Approvals

Certificate logos



CUL

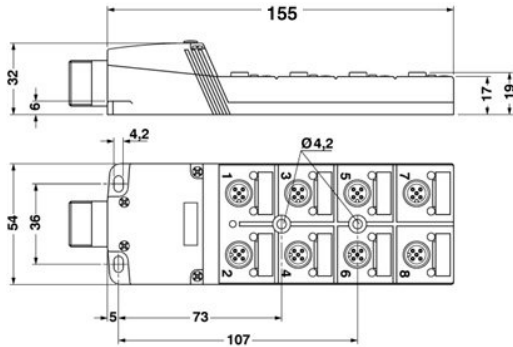
Nominal voltage U_N	24 V
AWG/kcmil	22-16

UL

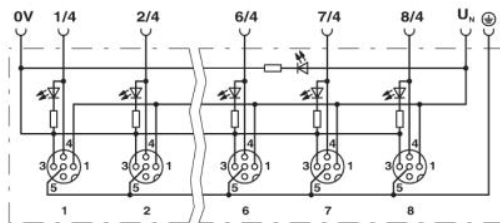
Nominal voltage U_N	24 V
AWG/kcmil	22-16

► Drawings

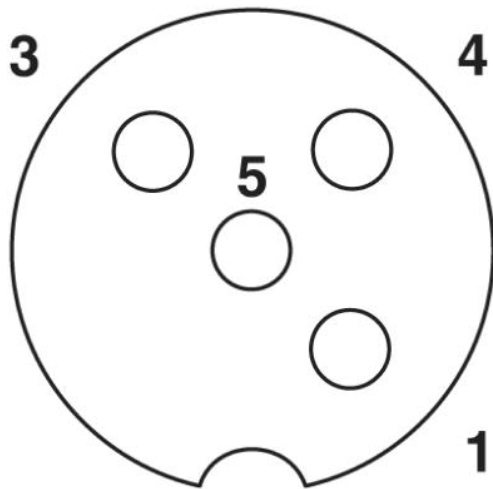
Dimensioned drawing



Circuit diagram



Schematic diagram



M12 slot, socket, 4-pos.

► Accessories

Item	Designation	Description
Grommet		
1680377	SACB-D PG 13,5 (4,0-6,5) YE	Rubber seal for Pg screw connection 13.5, for conductor cross section 4.0...6.5 mm
1680380	SACB-D PG 13,5 (6,5-9,5) BK	Rubber seal for Pg screw connection 13.5, for conductor cross section 6.5...9.5 mm
1680393	SACB-D PG 13,5 (9,0-13,0) RD	Rubber seal for Pg screw connection 13.5, for conductor cross section 9.0...12.0 mm
Marking		
2809128	ZBN 18:UNBEDRUCKT	Unprinted marker labels, strips with 5 labels for individual labeling with M-PEN or CMS system, for terminal block width: 17.5 mm, color: White
Sealing cap		
1680539	PROT-M12	Sealing cap for closing unoccupied connections M12
Tools		
1208432	SAC BIT M12-D15	Nut to mount SAC M12 cables and M12 QUICKCON connectors, for 4 mm hexagonal screwdriver
1208445	SACC BIT M12-D20	Nut for assembling SACC M12 plug-in connectors, for 4 mm hexagonal screwdriver
1206463	SZK PZ2	Screwdriver, suitable for Phillips screws Pozidriv/Supadriv, size: 2
1208429	TSD 04 SAC	Torque screwdriver, with preset torque of 0.4 Nm and 4 mm hexagonal drive

► Address

PHOENIX CONTACT Inc., USA
586 Fulling Mill Road
Middletown, PA 17057
USA
Phone (800) 888-7388
Fax (717) 944-1625
<http://www.phoenixcon.com>
© Phoenix Contact
Technical modifications reserved;